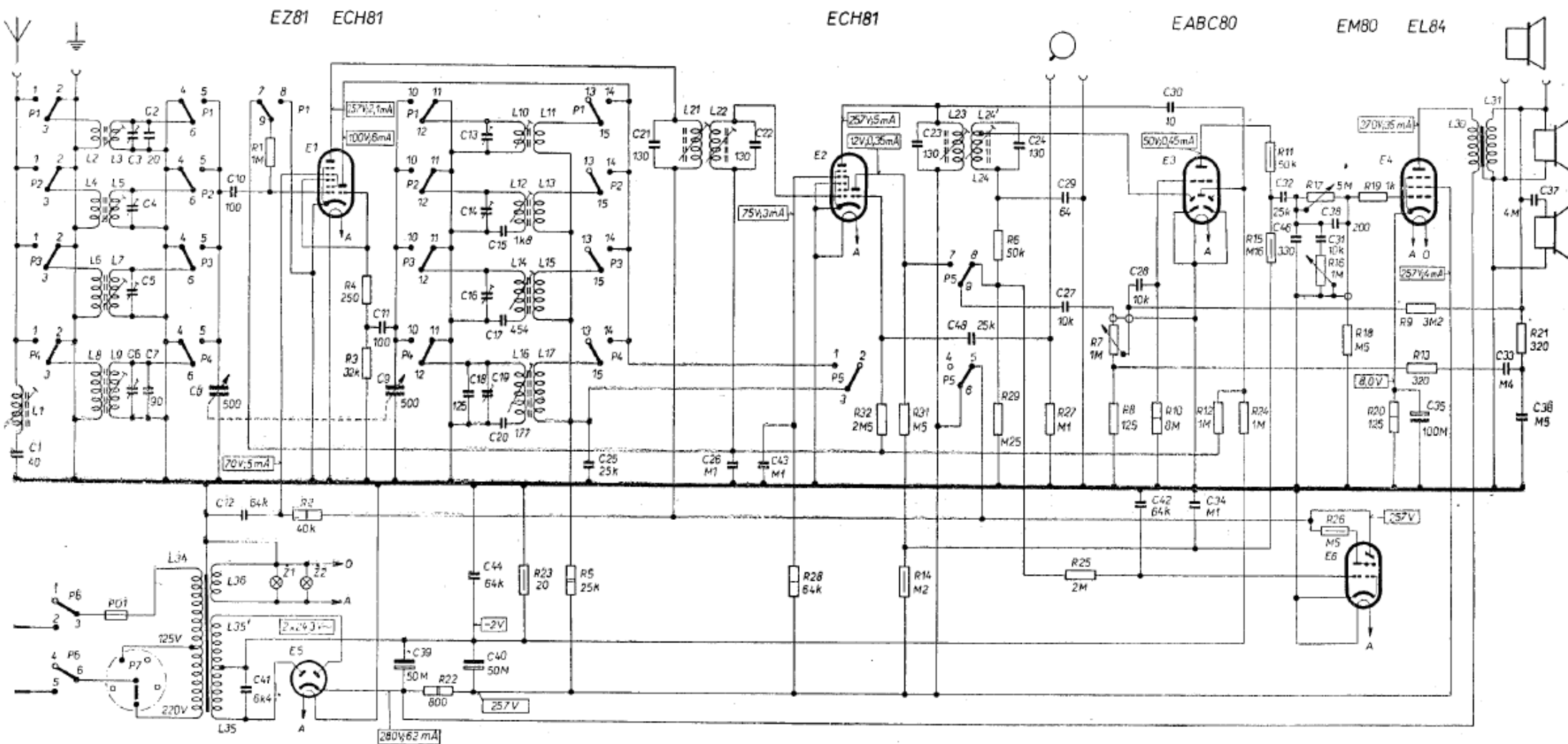


| | | | | | | | | | | | | | | | | | | | |
|---|------------------------|-----------------|------------|-----------|--|----|--------|------------|------------|------------|----------|----|--------|------------|----------------|----|----------------|----|------------|
| # | 1 | 2 | 4, 3 | 22 | 23 | 5 | 26 | 32, 31, 14 | 6, 29 | 27 | 25, 7, 8 | 10 | 12, 24 | 11, 15, 17 | 16, 26, 18, 19 | 20 | 9, 13 | 21 | |
| C | 3, 4, 5, 6, 2, 2 | 8, 10, 12, 4, 1 | | 11, 9, 39 | 18, 44, 40, 13, 14, 16, 19, 15, 17, 20 | 25 | 21 | | 26, 22, 43 | 23 | 48 | 24 | 29, 27 | 28, 42, 30 | 34 | | 32, 46, 31, 38 | 35 | 33, 36, 37 |
| L | 2, 4, 6, 8, 3, 5, 7, 9 | 34 | 30, 35, 35 | | 10, 12, 14, 16, 11, 13, 16, 17 | | 21, 22 | | | 23, 24, 24 | | | | | | | | | 30, 31 |



TLAČÍTKOVÝ PŘEPÍNAČ P1-P6

STISKNUTÍM TLAČÍTKA MĚNÍ SE SPOJENÍ TAKTO:

| OZNAČENÍ TLAČÍTKA | SPOJÍ SE | | | ROZPOJÍ SE | | |
|-------------------|---------------|---------------|----------|---------------|---------------|----------|
| | VSTUP | OSCILÁTOR | NAPÁJENÍ | VSTUP | OSCILÁTOR | NAPÁJENÍ |
| KVI P1 | 1-3, 5-6, 8-9 | 10-12, 14-15 | 2-3, 5-6 | 2-3, 4-6, 7-9 | 11-12, 13-15 | 1-3, 4-6 |
| KVII P2 | 1-3, 5-6 | 10-12, 14-15 | 2-3, 5-6 | 2-3, 4-6 | 11-12, 13-15 | 1-3, 4-6 |
| SV P3 | 1-3, 5-6 | 10-12, 14-15 | 2-3, 5-6 | 2-3, 4-6 | 11-12, 13-15 | 1-3, 4-6 |
| DV P4 | 1-3, 5-6 | 10-12, 14-15 | 2-3, 5-6 | 2-3, 4-6 | 11-12, 13-15 | 1-3, 4-6 |
| GRAMO P5 | --- | 1-3, 6-4, 7-9 | 2-3, 5-6 | --- | 2-3, 5-6, 8-9 | 1-3, 4-6 |
| VYPNUTO P6 | --- | --- | 1-3, 4-6 | --- | --- | 2-3, 5-6 |

Zapojení přijímače 528A „RONDO II“